

M/PTCI2P.1

KNX Tile Series Panel Power Interface
(with External Power Supply)

Hardware Version: A

Notes: The power interface works with the KNX Tile Display.



Datasheet

Issued: June 8, 2021

File Edition: B

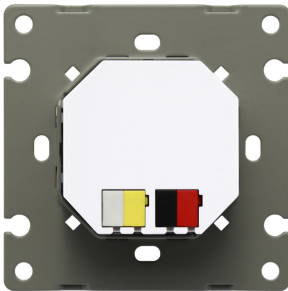


Figure 1. KNX Tile Series Panel Power Interface
(with External Power Supply)

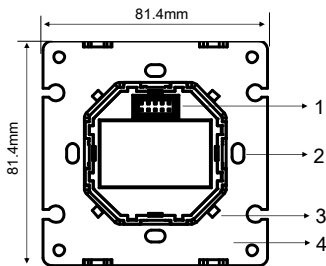


Figure 2. Dimensions - Front View

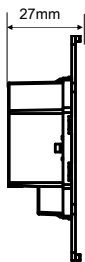


Figure 3. Dimensions - Side View

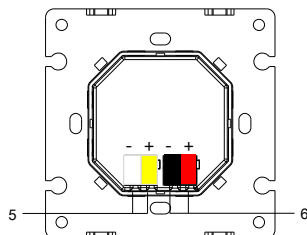


Figure 4. Components - Back View

Overview

KNX Tile Series Panel Power Interface (with External Power Supply) (See Figure 1) works in conjunction with KNX Tile Display and provides working voltage and communication signals to the panel.

Its main functions include:

- Provides working voltage to panel.
- Provides communication signals to panel.

Components

Dimensions - See Figure 2 - 3

1. **Communication interface:** Provides working voltage and signals.
2. **Screw hole:** Used to secure the power interface into the wall box.
3. **Mounting slot**
4. **Metal plate**
5. **Interface of 20-30V DC auxiliary power input**
6. **KNX connector: working voltage 21-30V DC**

Components - See Figure 4

Note(s)

- The panel power interface should be installed in the wall box.
- The power interface should work in conjunction with panel (M/PTL35.1).
- Bus cable - KNX standard cable.



Safety Precautions

- The installation and testing for the product must be carried out by HDL Automation Co., Ltd. or its appointed service agencies. The electric construction shall comply with local laws and safety regulations.
- The device should be wall box mounted. HDL will not be responsible for any consequence caused by the inexpert or faulty installation and wiring methods, which are not in accordance with the instructions contained in this operating instruction.
- Please do not privately disassemble or replace any parts of the product. Otherwise, it may cause mechanical fault, electric shock, fire or personal injuries.
- Please contact our after-sales departments or our designated service agencies for your maintenance service. Product failures caused by private disassembly are not subject to this warranty.

Package Contents

M/PTCI2P.1*1 / Datasheet*1 / Long screw*2 / Short screw*2

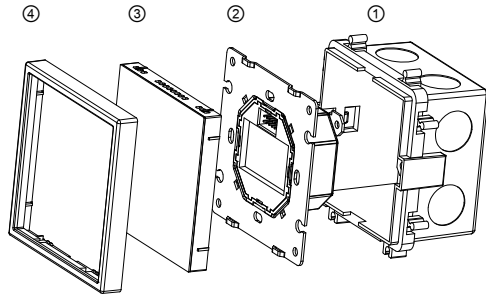


Figure 5. Installation

Technical Data

Basic Parameters

Working voltage	21~30V DC
Auxiliary power supply	20~30V DC
Communication	KNX
Cable diameter of KNX terminal	0.6-0.8mm

External Environment

Working temperature	-5°C~45°C
Working relative humidity	≤90%
Storage temperature	-20°C~60°C
Storage relative humidity	≤93%

Specifications

Dimensions	81.4×81.4×27 (mm)
Net weight	69g
Housing material	Flame-retardant nylon, metal
Installation	Wall box (See Figure 5)
Protection rating (Compliant with EN 60529)	IP20

Approved

CE, RoHS

KNX

KNX Cable Guide

KNX	KNX Cable
-	Black
+	Red

Installation

Installation - See Figure 5

- Step 1. Install the wall box in the wall.
- Step 2. Secure the power interface into the wall box with screws.
- Step 3. Install the panel on the power interface.
- Step 4. Install the frame around the panel.

Technical support

E-mail: hdltickets@hdlautomation.com
 Website: <https://www.hdlautomation.com>

©Copyright by HDL Automation Co., Ltd. All rights reserved.
 Specifications subject to change without notice.