

- HDL-MPT2.46-A iTouch Series 2 Buttons Touch Panel US
简约S/2按键触控面板
- HDL-MPT4.46-A iTouch Series 4 Buttons Touch Panel US
简约S/4按键触控面板
- HDL-MPT6.46-A iTouch Series 6 Buttons Touch Panel US
简约S/6按键触控面板

Issued: March 27, 2019
发布: 2019年3月37日
Edition V1.0.1



Figure 1. iTouch Series 2 Buttons Touch Panel
图 1. 简约S/2按键触控面板
Figure 2. iTouch Series 4 Buttons Touch Panel
图 2. 简约S/4按键触控面板
Figure 3. iTouch Series 6 Buttons Touch Panel
图 3. 简约S/6按键触控面板

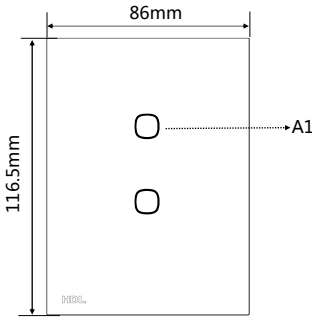


Figure 4 / 图 4 (Regular)

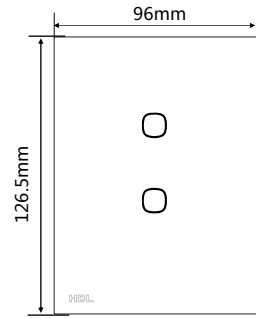


Figure 5 / 图 5 (Larger)

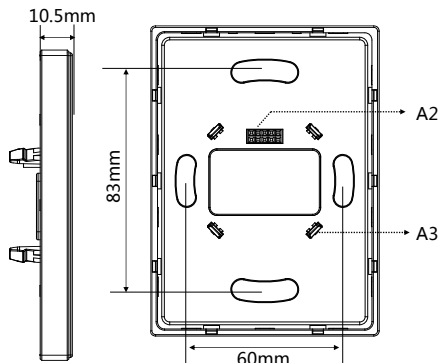


Figure 6 / 图 6

Figure 7 / 图 7

Figure 4 - 7. Dimensions
图 4 - 7. 尺寸图

Overview

iTouch Series 2/4/6 Buttons Touch Panel US (See Figure 1-3) is a multi-function control panel for home automation which supports various key control types. Every touch button is embedded with RGB LED indicator that can be customized via HDL Buspro Setup Tool.

Functions

- Key modes: Single on/off, Single on, Single off, Combination on, Combination off, Combination on/off, Short/long press, Momentary, Short press/long press.
- Key control types: Scene, Sequence, Time switch, Universal switch, Single channel lighting control, Broadcast scene, Broadcast channel, Curtain switch, GPRS control, Panel control, Security module, Music control, etc.
- Bus voltage detection
- Adjustable status indicator color and brightness.
- Supports HDL Buspro online upgrading.
- Selectable touch panel color

Important Notes

- The panel should be installed on the wall box.
- The panel should work in conjunction with the power interface.
- It is recommended to connect wires in hand-in-hand.
- Touch performance - touch panel sensitivity should be adjusted after installation.
- Images are for reference only, and the actual products should prevail.

Product Information

Dimensions - See Figure 4 - 7

- A1. Touch button function:** On/off, dimming.
- A2. Communication interface:** Connects to panel power interface.
- A3. Mounting slot:** Connects to panel power interface.
- Address modification:** Press any button for 15s, all the backlights will flash, the address of this device can be modified in HDL Buspro Setup Tool: submenu " address management-> address modify". Then press any button to exit.

Product installation and disassembly
(Take HDL-MPT2.46-A as an example)

- Installation - See Figure 8**
 - Install the wall box in the wall.
 - Fix the power interface onto the wall box with screws.
 - Hold the edge of the panel, and insert the panel in the slots of power interface vertically.
- Disassembly - See Figure 9**
 - Insert a straight screwdriver into the gap between the panel and power interface.
 - Hold the panel, pry up the panel gently and take down the panel.

Safety Precautions

- The installation and commissioning of the device must be carried out by HDL or the organization designated by HDL. For planning and construction of electric installations, the relevant guidelines, regulations and standards of the respective country are to be considered.
- The device should be wall box mounted. HDL does not take responsibility for all the consequences caused by installation and wire connection that are not in accordance with this document.
- Please do not privately disassemble the device or change components, otherwise it may cause mechanical failure, electric shock, fire or body injury.
- Please resort to our customer service department or designated agencies for maintenance service. The warranty is not applicable for the product fault caused by private disassembly.

Package Contents

Panel*1 / Datasheet*1

产品概述

简约S/2/4/6按键触控面板(见图1-3)是一款多功能触控面板。它支持多种按键控制类型,每个触摸按键内置RGB LED指示,可通过HDL Buspro软件设置按键的任意颜色。

功能说明

- 多种面板按键模式:单一开/关、单一开、单一关、组合开、组合关、组合开/关、短按/长按、点动、短按/长点动等
- 多种面板按键控制类型:场景、序列、时间开关、通用开关、单路调节、广播场景、广播回路、窗帘开关、GPRS、面板控制、消防模块、音乐控制等
- 总线电压检测功能
- 各按键的状态灯亮度可调,颜色可调
- 支持在线升级
- 面板部分可以选配不同颜色

注意事项

- 面板安装方式为暗盒安装。
- 必须与面板电源接口模块配合使用。
- 总线连接 - 推荐使用手拉手的连接方式。
- 触摸性能 - 触摸面板灵敏度需要在安装后调整。
- 实际产品可能与图片存在差异。

产品信息

产品尺寸 - 见图 4 - 7

- A1. 按键功能:** 开关, 调光。
- A2. 通信接口:** 连接面板电源模块。
- A3. 卡扣:** 连接面板电源模块。
- 地址修改:** 长按任意一个按键约15秒, 按键灯一起闪烁, 此时可通过“HDL Buspro系统控制软件”的“地址修改->地址读取、修改”对该模块进行地址设置, 再按任意一个按键, 按键指示灯停止闪烁, 退出设置。

设备的安装和拆卸
(以HDL-MPT2.46-A为例)

- 安装 - 见图 8**
 - 将底盒安装在墙上。
 - 用螺丝将电源接口模块固定在底盒里。
 - 手持面板边缘, 对准卡口, 垂直插入电源接口模块, 不可过分用力按压面板。
- 拆卸面板 - 见图 9**
 - 用一字螺丝批插入面板缺口。
 - 轻撬面板, 手握面板边缘, 即可取下面板。

安全警告

- 本设备的安装及调试工作必须由我司或我司指派的机构进行。其电气安装的计划和施工, 必须遵守当地相关的安全标准和法规。
- 该产品需暗盒安装, 未按照本说明书进行安装及接线方式的, 所造成的一切后果皆与我司无关。
- 请不要私自拆装或更换零部件, 否则可能会导致机械故障、电击、火灾或身体伤害。
- 请将一切维修工作交由我司售后部门或指定机构进行, 本产品的保修范围不适用于因用户拆卸产品而导致的故障。

装箱清单

面板*1 / 说明书*1

Technical Data

Electrical Parameters

Working voltage	12~30V DC
Working current	20mA/24V DC
Communication	HDL Buspro
Buspro terminal	0.6-0.8mm single core cable

External Environment

Working temperature	-5°C~45°C
Working relative humidity	≤90%
Storage temperature	-20°C~60°C
Storage relative humidity	≤93%

Specifications

Dimensions	86×116.5×10.5(mm) (Regular) 96×126.5×10.5(mm) (Larger)
Net weight	Regular: 132.6g Larger: 163.4g
Housing material	Glass, PC, ABS, Aluminum
Installation	Wall box (See Figure 8)
Protection rating (Compliant with EN 60529)	IP20

Name and Content of Hazardous Substances in Products

Components	Hazardous substances					
	Lead (Pb)	Mercury (Hg)	Cadmium (Cd)	Chromium VI (Cr (VI))	Poly-brominated biphenyls (PBB)	Poly-brominated diphenyl ethers (PBDE)
Plastic	o	o	o	o	o	o
Hardware	o	o	o	o	-	-
Screw	o	o	o	x	-	-
Solder	x	o	o	o	-	-
PCB	x	o	o	o	o	o
IC	o	o	o	o	x	x
Glass	o	o	o	o	o	o

The symbol "-" indicates that the hazardous substance is not contained.

The symbol "o" indicates that the content of the hazardous substances in all the homogeneous materials of the component is below the limit requirement specified in the Standard IEC62321-2015.

The symbol "x" indicates that the content of the hazardous substance in at least one of the homogeneous materials of the part exceeds the limit requirement specified in the Standard IEC62321-2015.

HDL Buspro Cable Guide

CAT5/CAT5E	HDL Buspro	HDL Buspro/KNX
Brown/ Orange	24V DC	Red
Brown white/ Orange white	COM	Black
Blue white/Green white	DATA-	White
Blue/ Green	DATA+	Yellow

技术参数

电气参数

工作电压	12~30V DC
工作电流	20mA /24V DC
通信协议	HDL Buspro
总线接线端子	0.6-0.8mm单芯电缆

外部环境

工作温度	-5°C~45°C
工作相对湿度	≤90%
储存温度	-20°C~60°C
储存相对湿度	≤93%

产品规格

尺寸	86×116.5×10.5(mm) (通常) 96×126.5×10.5(mm) (加大)
净重	通常: 132.6g 加大: 163.4g
外壳材料	玻璃, PC, ABS, 压铸铝
安装方式	暗盒安装 (见图8)
防护级别 (符合 EN 60529)	IP20

产品中有害物质的名称及含量

部件名称	有害物质					
	铅 (Pb)	汞 (Hg)	镉 (Cd)	六价铬 (Cr (VI))	多溴联苯 (PBB)	多溴二苯醚 (PBDE)
塑胶组件	o	o	o	o	o	o
五金铜件	o	o	o	o	-	-
螺丝组件	o	o	o	x	-	-
焊锡	x	o	o	o	-	-
PCB组件	x	o	o	o	o	o
IC	o	o	o	o	x	x
玻璃	o	o	o	o	o	o

- : 表示不含有该有害物质。

o : 表示该有害物质在该部件所有均质材料中的含量均在IEC62321-2015规定的限量要求以下。

x : 表示该有害物质至少在该部件的某一均质材料中的含量超出IEC62321-2015规定的限量要求。

总线定义

CAT5/CAT5E	HDL Buspro	HDL Buspro/KNX
棕/橙	24V DC	红
棕白/橙白	COM	黑
蓝白/绿白	DATA-	白
蓝/绿	DATA+	黄

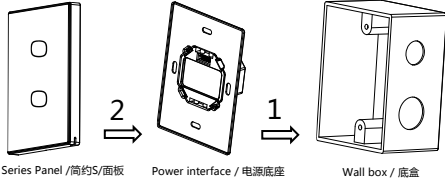


Figure 8. Installation
图 8. 安装图

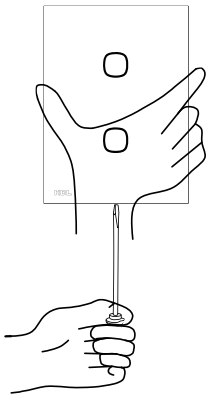


Figure 9. Disassembly
图 9. 拆卸图

技术支持

服务热线: 020-85820195

(工作时间: 9:00-12:00, 13:00-18:00, 星期一至星期五)

邮箱: kfb@hdlchina.com.cn

网址: http://www.hdlchina.com

Technical support

E-mail: support@hdlautomation.com

Website: https://www.hdlautomation.com