

## Parameters

Electrical Parameters:	
AC power input	AC110V/AC220V, 50-60Hz
Working power	DC15~30V
Power consumption	28mA/DC24V
Output channel	2CH/6A
Maximum output channel current in total	10A
Fuse	10A
TRIAC	25A TRIAC, Minimum Load 40w
Dimming curves	Linear, 1.5 exponent, 2.0 exponent, 3.0 exponent
Environmental Conditions:	
Working temperature	-5°C~45°C
Working relative humidity	Up to 90%
Storage temperature	-20°C~+60°C
Storage relative humidity	Up to 93%
Approved	
CE	
RoHS	
Product Information:	
Dimensions	144×90×66 (mm)
Weight	602.5(g)
Housing material	Nylon, PC
Installation	35mm DIN rail installation
Protection degree	IP20
Cable	Power cable: 2.5mm <sup>2</sup> ~4mm <sup>2</sup> (AC in)
	Load cable: 1.5mm <sup>2</sup> ~2.5mm <sup>2</sup>
Installation Position	Distribution box (DB )

## Important Notes

- Buspro cable - HDL Buspro/KNX cable, 0.8mm single-core copper cable
- Buspro Connection - Series connection (hand-in-hand)
- AC power - Make sure input AC voltage match with setting in dimmer module
- Connect checking – Check all connection after installation
- Output Channel – Current of each channel can not exceed the prescribed current
- Fuse - The fuse to replace the broken one must be of the same type ( aR type )
- Load type – Incandescent light, halogen, etc
- The load must be suitable for leading edge dimming
- Make sure the working temperature of the Dimmer does not exceed 50 °C

## Overview



**HDL-MD0206.432** 2-channel 6A Dimmer, supports AC220V and AC110V power input. It has 2 output channels, each channel has a bypass button for manual control. There is fuse protection for each channel, the Dimmer will be protected in case of short circuit. LED indicator will show you which channel has short circuit

## Functions

- Up to 2 separate areas; Max 12 scenes for each area
- Up to 6 sequences and each sequence has 12 steps
- 4 Dimming curves, the dimming accuracy is 512 step
- Low, high, max threshold for each channel
- Bypass button for manual control available for each channel
- You can select specified scene or scene before power off when the device restarts
- Short circuit and over heat protection
- Max 6A of each channel, 12A fuse of each channel for protection (aR type)
- Support HDL Buspro online upgrading

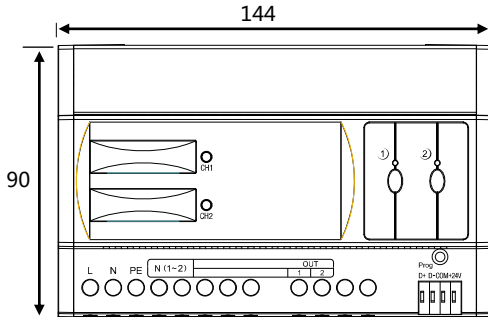
## Installation Steps

- 35mm DIN rail installation, inside DB box
- Mark up each output connection cable
- Connect the load and HDL Buspro
- Check if there is any short circuit in output connection cable
- Check the HDL Buspro connection, avoid any mistakes
- Isolate the high voltage and low voltage cable

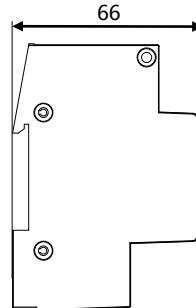
## HDL Buspro Cable Guide

CAT5/CAT5E	HDL Buspro	HDL Buspro/KNX
Brown/Orange	DC24V	Red
Brown white/Orange white	COM	Black
Blue white/Green white	DATA-	White
Blue/Green	DATA+	Yellow

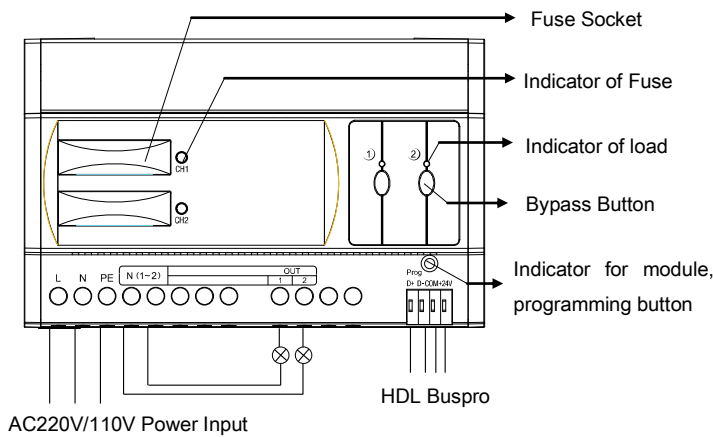
## Dimensions and Wirings (Unit: mm)



Front view



Side view



### Indicator for module

**Indicator:** Flickers when the module is working properly. Keep pressing the indicator for 3 seconds, it turns to red, then user can read and modify the address of the module in the HDL Buspro Pro set up software.

## Safety Precautions



- Fuse must be aR type, and current of each channel can not exceed the prescribed current
- **Turn off the power of Dimmer when replace Fuse**
- ( PE ) should be connected
- Make sure the working temperature of the Dimmer does not exceed 50 °C
- Current in each channel should not exceed 6A
- The screw down strength should not exceed 0.4Nm
- Installation: Inside DB box
- Do not make wrong connection on Buspro interface, it will damage the Buspro interface of this module
- Do not get AC220V voltage into Buspro wire, it will damage all devices in the system
- Ensure good ventilation
- Avoid contact with the liquids and aggressive gases

## Package Contents

- |  |    |
|--|----|
| ■ Datasheet                                  | ×1 |
| ■ Leading Edge TRIAC Dimmer (HDL-MD0206.432) | ×1 |
| ■ Bus terminal                               | ×1 |

