

HDL-MPTLC43.46

4.3-Inch Enviro Touch Screen

buspro

Datasheet

Issued: June 11, 2019
Edition V1.0.0

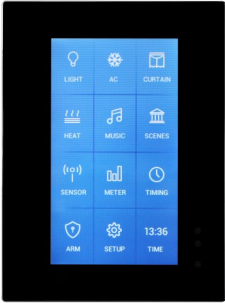


Figure 1. 4.3-Inch Enviro Touch Screen

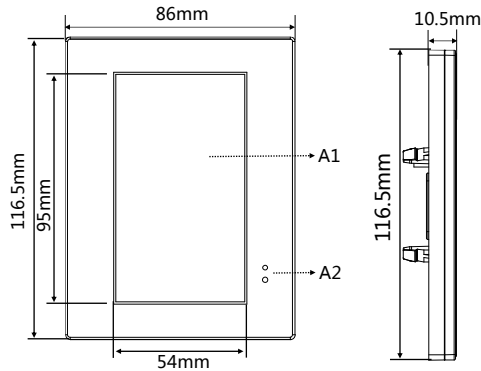


Figure 2. Dimensions - Front View (Regular)

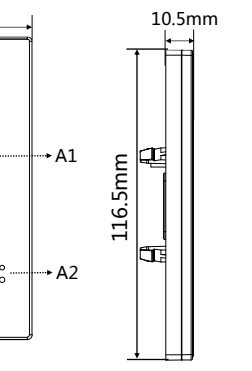


Figure 3. Dimensions - Side View (Regular)

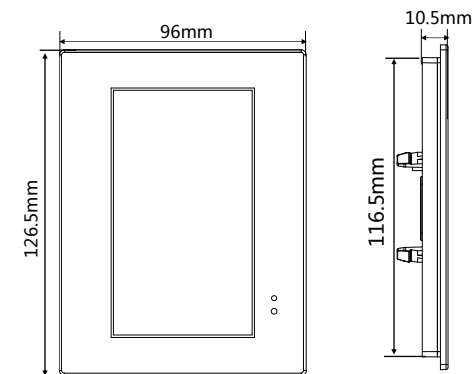


Figure 4. Dimensions - Front View (Larger)

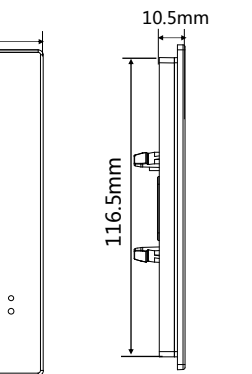


Figure 5. Dimensions - Side View (Larger)

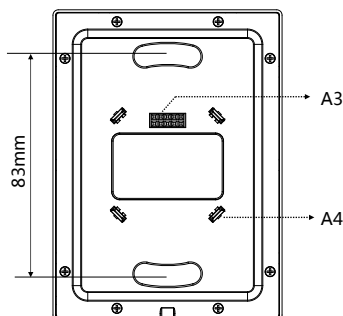


Figure 6. Dimensions - Back View

Figure 2 - 6. Dimensions

Overview

4.3-Inch Enviro Touch Screen (See Figure 1) is a high-end and multi-function control panel for home automation. With real color LCD screen, touch control, it is convenient for the users to control lighting, scene, curtain, music, air conditioning, floor heating and others in an intuitive way.

Functions

- Built-in temperature sensor and proximity sensor
- Adjustable LCD backlight
- LCD screen wakes up automatically.
- According to the preset time, the panel can automatically switch to the set interface. As the set time passed, the screen dims and enters the energy saving mode.
- 60 control buttons in total can be set. The quantity and layout of the control buttons can be defined by user.
- AC control: Supports 9 air conditioners
- Floor heating control: Totally 9 floor heating modules supported. Floor heating modes: Normal, Day, Night, Away, Timing. (According to the preset time, the panel can switch automatically between Day mode and Night mode.)
- Music play: supports 9 music players
Various music source supported: SD card, Audio-IN, BT, S/PDIF, RADIO
SD card playlist options: LIST1...LIST10
- Timer function
- Security settings: supports various security modes: Vacation, Away, Day, Night, Meeting guests, etc.
- Standby interface: Date, time and current temperature display
- Various key modes: Invalid, Single on/off, Single on, Single off, Combination on, Combination off, etc.
- Various key control modes: Scene, Sequence, Time switch, Universal switch, Single channel adjustment, Broadcast scene, Broadcast channel, Curtain control, GPRS control, Panel control, Security module, Music play, General control;
- Panel control functions include: Infrared receiving enable, AC on/off, AC cooling/heating mode, Auto temperature setting, Fan speed adjustment, AC mode setting, AC temperature adjustment, Backlight switch, AC lock, Backlight and status indicator luminance setting, Floor heating temperature and mode control etc.
- Upgrading online via HDL Buspro is available.

Important Notes

- The panel should be installed on wall box.
- The panel should work in conjunction with the power interface.
- Buspro connection - hand-in-hand recommended.

Product Information

Dimensions - See Figure 2 - 6

A1. LCD screen: 4.3-inch IPS true color LCD screen with customizable icons via HDL Buspro Setup Tool.

A2. Proximity sensing: Also known as wake-up function, when someone approaches the sensor, the LCD screen will light up.

A3. Communication interface: HDL Buspro bus connector. It connects to panel power interface.

A4. Mounting slot: Connects to the panel power interface.

Product installation and disassembly

Installation - See Figure 7

- Step 1. Install the wall box in the wall.
- Step 2. Fix the power interface onto the wall box with screws.
- Step 3. Hold the edge of panel, and insert the panel in the slots of power interface vertically.

Disassembly - See Figure 8

- Step 1. Insert a straight screwdriver into the gap between the panel and power interface.
- Step 2. Hold the panel, pry up the panel gently and take down the panel.

Safety Precautions

- The installation and commissioning of the device must be carried out by HDL or the organization designated by HDL. For planning and construction of electric installations, the relevant guidelines, regulations and standards of the respective country are to be considered.
- The device should be installed in wall box. HDL does not take responsibility for all the consequences caused by installation and wire connection that are not in accordance with this document.
- Please do not privately disassemble the device or change components, otherwise it may cause mechanical failure, electric shock, fire or body injury.
- Please resort to our customer service department or designated agencies for maintenance service. The warranty is not applicable for the product fault caused by private disassembly.

Package Contents

HDL-MPTLC43.46*1 / Datasheet*1

Technical Data

Basic Parameters

Working voltage	12~30V DC
Working current	85mA/24V DC
Communication	HDL Buspro
Cable diameter of Buspro terminal	0.6-0.8mm

External Environment

Working temperature	-5°C~45°C
Working relative humidity	≤90%
Storage temperature	-20°C~60°C
Storage relative humidity	≤93%

Specifications

LCD resolution	480x272
Dimensions	86×116.5×10.5 (mm) (Regular) 96×126.5×10.5 (mm) (Larger)
Net weight	129g(Regular) , 171g(Larger)
Housing material	Glass, PC, ABS
Installation	Wall box (See Figure 7)
Protection rating (Compliant with EN 60529)	IP20

Name and Content of Hazardous Substances in Products

Components	Hazardous substances					
	Lead (Pb)	Mercury (Hg)	Cadmium (Cd)	Chromium VI (Cr (VI))	Poly-brominated biphenyls (PBB)	Poly-brominated diphenyl ethers (PBDE)
Plastic	o	o	o	o	o	o
Hardware	o	o	o	o	-	-
Screw	o	o	o	×	-	-
Solder	×	o	o	o	-	-
PCB	×	o	o	o	o	o
IC	o	o	o	o	×	×
Glass	o	o	o	o	o	o

The symbol "-" indicates that the hazardous substance is not contained.

The symbol "o" indicates that the content of the hazardous substances in all the homogeneous materials of the component is below the limit requirement specified in the Standard IEC62321-2015.

The symbol "×" indicates that the content of the hazardous substance in at least one of the homogeneous materials of the part exceeds the limit requirement specified in the Standard IEC62321-2015.

HDL Buspro Cable Guide

HDL Buspro	HDL Buspro Cable
24V DC	Red
COM	Black
DATA-	White
DATA+	Yellow

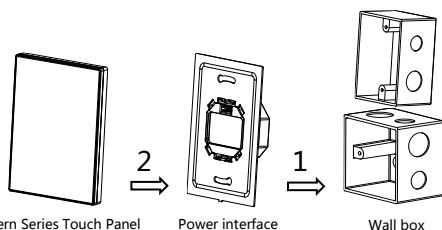


Figure 7. Installation

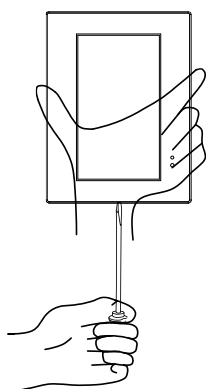


Figure 8. Disassembly

Technical support

E-mail: support@hdlautomation.com

Website: <https://www.hdlautomation.com>

©Copyright by HDL Automation Co., Ltd. All rights reserved.
Specifications subject to change without notice.